

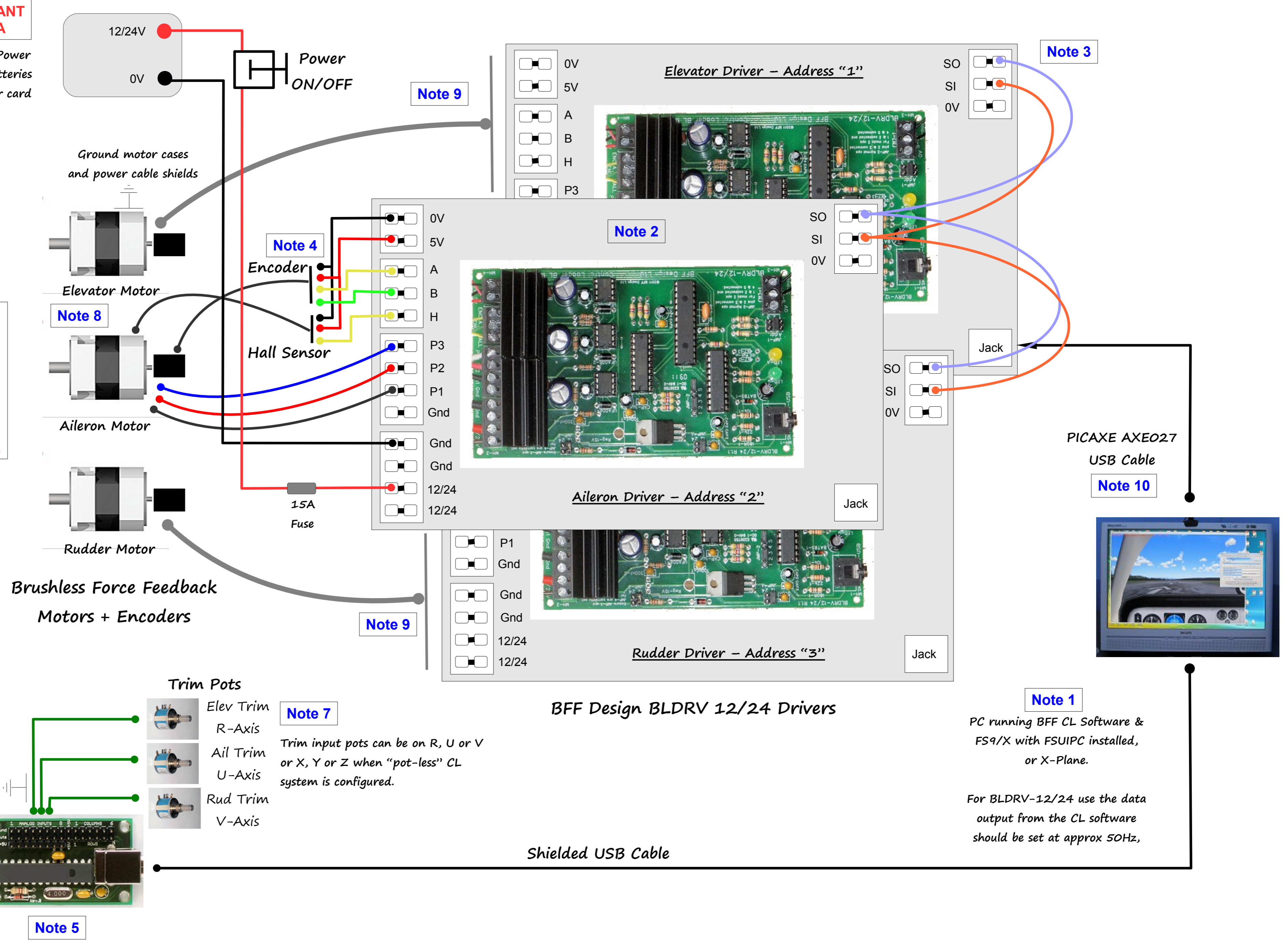
BFF CL System – “Potentiometer-less” System Wiring

Note – PLEASE READ IN CONJUNCTION WITH ACCOMPANYING NOTES

IMPORTANT Note A

12/24V DC Power Supply Eg Batteries ~ 6 Amps per card

IMPORTANT PLEASE READ DATA SHEETS FOR CORRECT CABLE COLOURS. COLOURS SHOWN IN DIAGRAM ARE ILLUSTRATIVE ONLY.



Note 3

Elevator Driver – Address "1"

Note 2

Aileron Driver – Address "2"

Rudder Driver – Address "3"

BFF Design BLDRV 12/24 Drivers

Shielded USB Cable

PICAXE AXE027 USB Cable

Note 10

Note 1

PC running BFF CL Software & FS9/X with FSUIPC installed, or X-Plane.

For BLDRV-12/24 use the data output from the CL software should be set at approx 50Hz,

Note 7

Trim Pots
Elev Trim R-Axis
Ail Trim U-Axis
Rud Trim V-Axis
Trim input pots can be on R, U or V or X, Y or Z when "pot-less" CL system is configured.

Note 6

Leo Bodnar BU0836(A) Joystick Card or similar.. for trim pot or button inputs.

Note 5